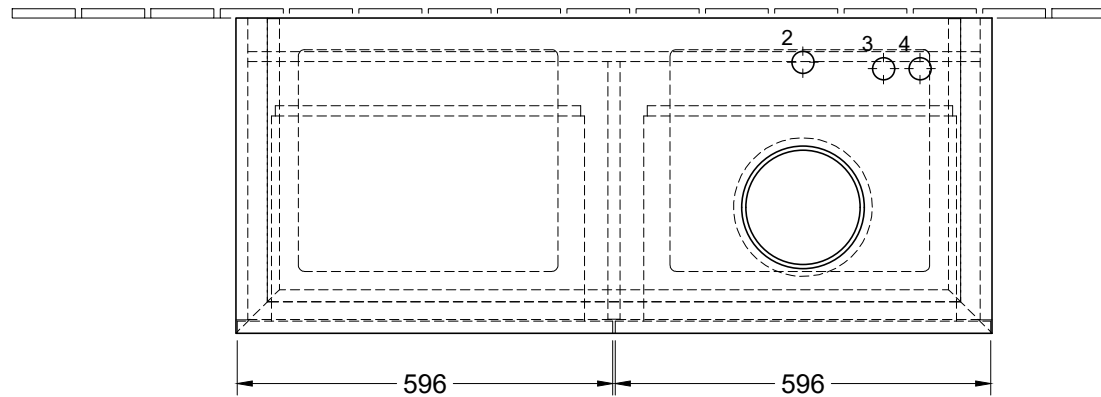



N $\frac{1}{1}$ L
 ○○○ 220 - 240V



	1	2	3	4	H2	A1
5144 00 / 01	X		X	X	1010	590
5148 00 / 01	X	X	X	X	1010	590
5149 00 / 01	X	X	X	X	1010	590
5149 10 / 11	X				1010	590
4110 45	X			X	1090	600
4110 60	X	X			1090	600
4125 40 / 41	X		X	X	1070	630
4179 43	X		X	X	1070	590
4178 41	X				1070	590
4A1840	X		X	X	1090	590
4A2138	X	X		X	1090	590
4A1956	X	X	X	X	1090	590
4A2056	X	X	X	X	1090	590

Legato B58100XX / B581L0XX		 Villeroy & Boch 1748
V01 / 29.08.2019	1:12	